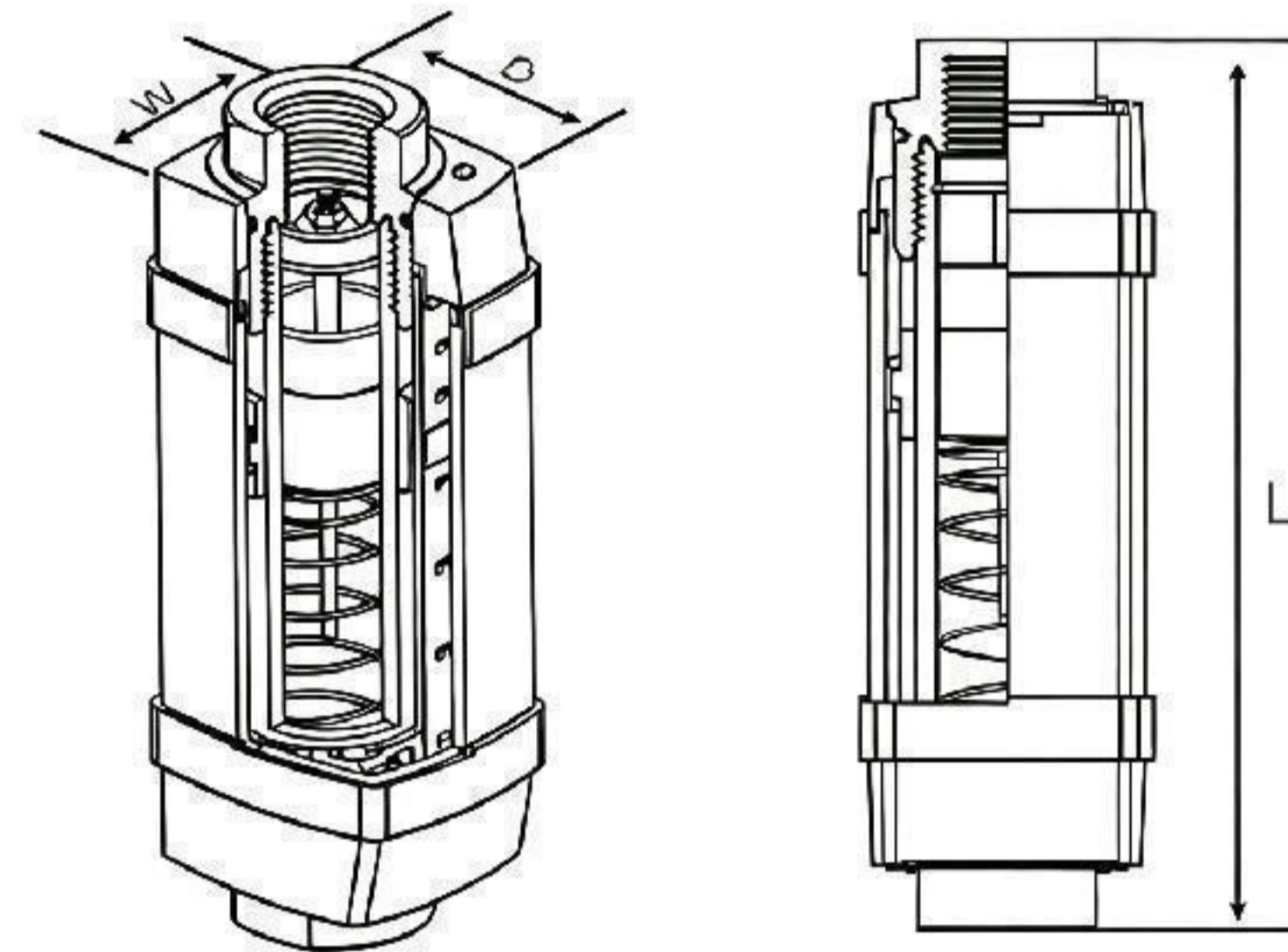


The Series Z-6030/Z-6530 In-line Flow Monitor

Unrestricted mounting, dual scales, flow range from 0.2GPM to 30GPM



The Series Z-6030/Z-6040 In-line Flowmeter are spring-loaded variable-area flowmeters. They can be installed and used in any direction. These instruments measure flow rate by balancing the drag force of a spring with the force exerted on a float, which is propelled by fluid flow. When fluid passes through a tapered tube, the float experiences a thrust due to the fluid's kinetic energy, while the spring provides an opposing resistance. As the flow rate increases, the float moves further, expanding the annular passage area. Ultimately, the float stabilizes at a position where the spring force balances the hydrodynamic force, directly indicating the flow rate via its position.

SPECIFICATIONS	
Service	Liquid
Wetted Material	Body & Connection: 304 Stainless Steel
Accuracy	±2%
Temperature Rating	0°C to 100°C
Pressure Rating	Less than 25MPa
Connection Method	1/2"FNPT, 3/4"FNPT, 1"FNPT thread connection

FEATURES

- Installable in any direction
- Measurement unaffected by gravity
- Ideal for applications with vibration
- Low pressure loss, high reliability
- Wide fluid compatibility
- Ready to use upon installation, convenient operation

APPLICATIONS

- Petrochemical Industry
- Metallurgical Industry
- Textile Industry
- Pharmaceutical Industry
- Semiconductor Industry
- Food and Beverage Industry
- Paper and Pulp
- Power Plants
- Urban Water Supply and Drainage
- Environmental Protection
- New Energy Industry
- Shipbuilding Industry

MODEL CHART			
Example	Z-60	31	
Series	Z-6030		In-line Flowmeter
Scale Range		31	Dual-scale: 0.2 GPM - 2GPM & 0.8 L/min - 8L/min, 1/2"FNPT
		32	Dual-scale: 0.5 GPM - 5GPM & 2 L/min - 20L/min, 1/2"FNPT
		33	Dual-scale: 1 GPM - 10GPM & 3 L/min - 36L/min, 1/2"FNPT
		34	Dual-scale: 1 GPM - 15GPM & 3 L/min - 55L/min, 1/2"FNPT

MODEL CHART			
Example	Z-60	41	
Series	Z-6040		In-line Flowmeter
Scale Range		41	Dual-scale: 0.2 GPM - 2GPM & 0.8 L/min - 8L/min, 3/4"FNPT
		42	Dual-scale: 0.5 GPM - 5GPM & 2 L/min - 20L/min, 3/4"FNPT
		43	Dual-scale: 1 GPM - 10GPM & 3 L/min - 36L/min, 1"FNPT
		44	Dual-scale: 2 GPM - 20GPM & 7 L/min - 70L/min, 1"FNPT
		45	Dual-scale: 3 GPM - 30GPM & 11 L/min - 110L/min, 1"FNPT